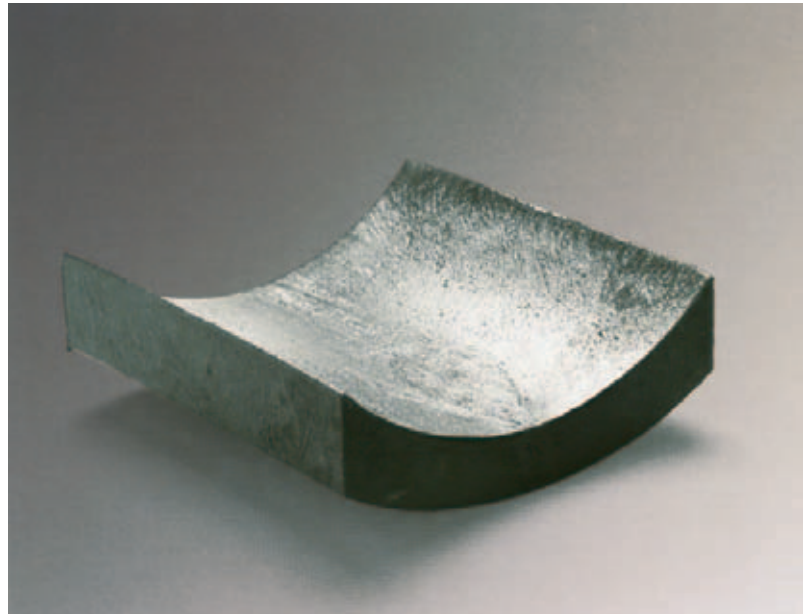


PSI Pipe Support

General Information



To support very heavy carrier pipes

Extremely long carrier pipes can be supported with these polyethylene components. DSI pipe supports are adapted to DSI plastic insulators and reliably prevent contact between the carrier pipe and the casing - even when there is an extreme load of soil on the pipe.

Material

Black polyethylene has the same resistance as the polyethylene coating of steel pipes, thus preventing damage to insulation.

Compressive strength: 1.000 N/cm²

Density: 0.85 g/cm³

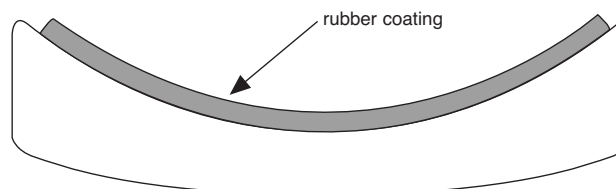
Modulus of elasticity: 270.000 N/cm²

Special version rubber coated

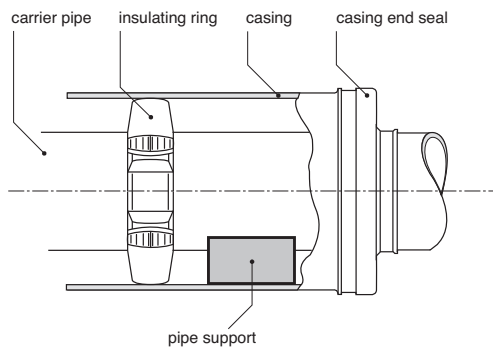
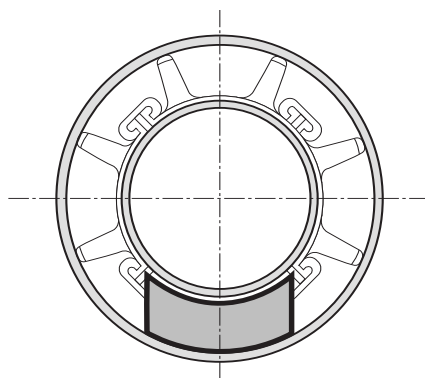
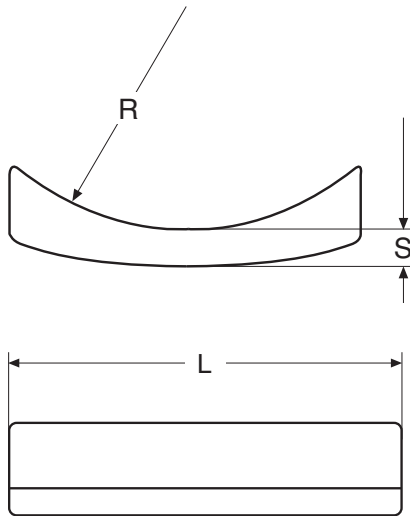
Material and dimensions as described above, with additional high quality rubber coating. Coating thickness as per agreement.

Prices and delivery time on request.

Technical changes reserved.



PSI Pipe Support Dimensions



Carrier Pipe O.D. in mm	Pipe Support Dimension in mm			Weight approx in kg
	R	s	L	
up to 150	90	16	130	0,2
		25		0,3
		36		0,5
175 - 300	160	25	250	2,5
		35		2,0
		55		2,2
		75		3,8
		90		4,6
		110		5,4
350 - 500	260	25	300	2,4
		35		3,2
		42		4,0
		50		4,5
		65		5,7
		75		6,0
		90		7,9
550 - 700	360	25	300	3,0
		35		4,1
		42		5,5
		50		6,0
		65		7,0
		75		7,5
750 - 900	460	25	500	5,9
		35		8,1
		42		9,3
		50		10,8
		65		12,9
		75		15,0
950 - 1100	570	25	500	7,6
		35		10,0
		42		11,8
		50		13,5
		65		17,8
		75		19,3
1150 - 1400	710	25	600	11,8
		35		15,1
		42		19,2
		50		20,0
		65		26,7
		75		31,5
		90		37,0