

PSI Anti-Corrosion Tape

ISO Petrolatum tape



Description:

The PSI ISO petrolatum tape is suitable for pipeline coating. It can be used for house connections and fittings, but is particularly suitable for complicated parts such as T-pieces in connection with petrolatum filling material.

The PSI ISO petrolatum tape is an anti-corrosion binding with a chemical-fibre base material (100g/m²), coated with modified petrolatum on both sides. It is highly adhesive and elastic, and has a high softening point. The PSI ISO petrolatum tape is coated with a PE foil on the out-side. This foil is a diffusion-tight mechanical protection.

Application instructions:

Cleaning:

Prepare the pipe according to DVGW-instructions GW 15: **dry**, clean, grease-free and rust-free. The PSI ISO petrolatum tape - uni is to be used **without primer!**

Filler:

Fill cavities and round off sharp corners with petrolatum filler.

Application:

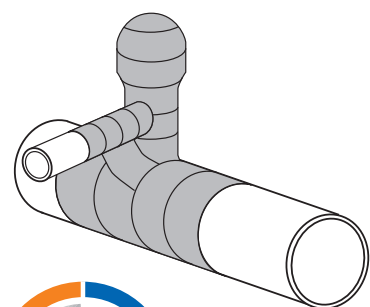
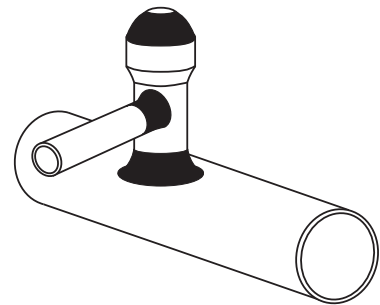
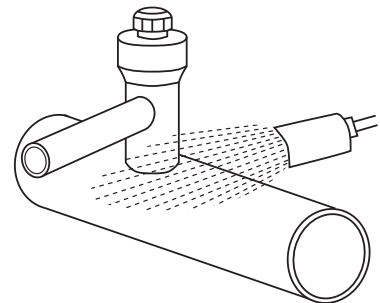
The tape should be wound on in **two layers**. We recommend that the first layer be wound on with a 50% overlap. The outer layer should be wound on in a spiral pattern with a 10 mm overlap. The joins with the existing factory coating should be included with a minimum 50 mm overlap in the winding all round. Care should be taken to ensure that the **PE backing** is on the outside. Ensure that the winding is free of puckering and air pockets.

Finally, press down the tape firmly and smooth by hand, particularly in the overlapping area. If subjected to severe mechanical loadings, the additional application of PSI fleece to protect the pipe is strongly recommended.



Technical specifications:

Roll length:	10 m
Width:	50 100 150 200
Weight:	approx. 1,0 Kg/m ²
Thickness:	approx. 1,5 mm
Colour:	beige to brown



DVGW-Reg.-No.: NG-5180B00011